



engineered by
Snap
av

[MEGACOM]
TECNOLOGÍA + SEGURIDAD

PAINTING

It is highly recommended that the speakers be painted prior to installation. If it is necessary to paint them while installed, the provided paint mask should be used in place of the grille to protect the speaker. The grille may be painted as well with great care taken not to clog the fine holes with paint. Only paint grilles when they have been removed from the speakers.

TROUBLESHOOTING

Episode speakers are designed to function trouble-free. Most problems that occur are due to simple issues. If you have trouble, please check the list of simple fixes below. If the problem persists, contact Episode Customer service at 1.866.424.4489.

NO SOUND

- Verify that there is audio coming from the source selected. Select another source if necessary.
- Ensure that any power amplifiers are turned on and connected properly.
- Check any connections at other devices, such as a volume control. Temporarily bypass the control if needed.
- Check wire connections at each speaker not producing sound for good contact to bare wire, not wire insulation.

WARRANTY



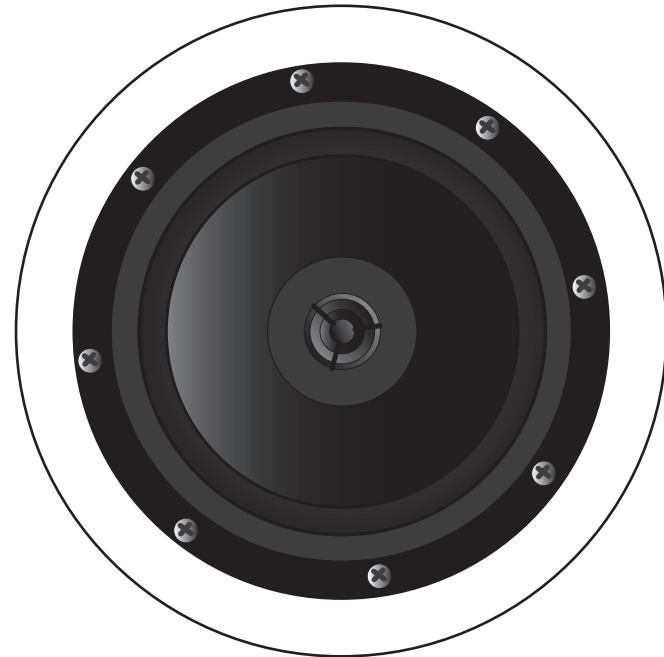
Limited Lifetime Warranty

Episode in-wall, in-ceiling and bookshelf Speakers have a Lifetime Limited Warranty. This warranty includes parts and labor repairs on all components found to be defective in material or workmanship under normal conditions of use. This warranty shall not apply to products which have been abused, modified or disassembled. Products to be repaired under this warranty must be returned to SnapAV or a designated service center with prior notification and an assigned return authorization number (RA).

OWNER'S MANUAL

>> IN-CEILING SPEAKERS

ES-150-IC-6



Thank you for purchasing a great product from one of the best sounding speaker lines available today, Episode™. We appreciate your purchase and are committed to providing the highest quality products possible.

The Episode in-ceiling models are a superb choice for almost every type of home theater or home audio installation. They have been designed with advanced technological components that allow for high performance and a lifetime of enjoyment.

EPISODE 100 SERIES IN-CEILING SPEAKERS WITH 6 1/2 IN. WOOFER

An ideal choice for budget-conscious applications, the Episode ES-150-IC-6 offers both quality and affordability. And with its 3" total depth (2-1/4" inside ceiling area assuming 1/2" dry-wall) it is an excellent problem solver when you're faced with minimal ceiling clearance. Great for background listening in commercial or residential applications.

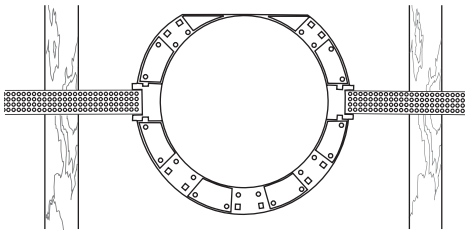
IMPORTANT INSTRUCTIONS AND CONSIDERATION

- Read and understand all instructions.
- Before beginning installation, carefully plan locations accounting for potential electrical, plumbing or other obstacles.
- Contact a suitable contractor if you are unsure of how to best install.

INSTALLATION

NEW CONSTRUCTION

Episode speaker installation can be simplified by using an Episode new construction bracket (Sold Separately). This is installed prior to drywall, and allows for precise placement and eases the final installation of the speaker.

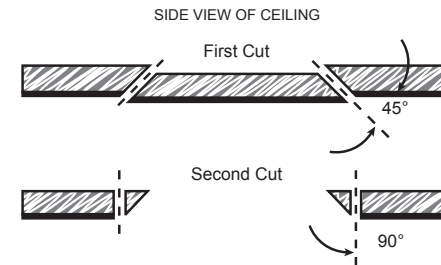


EXISTING CONSTRUCTION

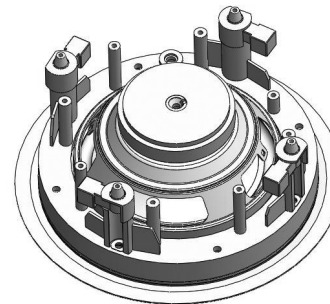
Speaker wire must be run from the equipment or volume control location to each potential speaker location.

- Choose a location for each speaker that is free of obstructions created by joists, HVAC ductwork, electrical wire runs, plumbing or anything else that might not allow for the depth of the speaker or create interference or noise.

- Once you have determined your locations, mark the hole to cut out for the speaker using the supplied template. Don't forget to allow for the size of the speaker bezel if you are choosing to install the speaker near a side wall or other item that could become an obstacle.
- If you are unsure of potential obstacles, carefully cut your holes using an angle to the inside of the cutout area as illustrated. This will allow you to 'plug' the hole easily if needed. If the area is clear and is a good location for the speaker, go ahead and cut the edges of the opening at 90 degrees to accommodate the speaker diameter.



- Strip the insulation on each conductor approximately 1/4" and insert to the speaker terminals. Ensure that there are no stray strands of wire protruding from the connectors. Observe proper polarity (+ to + and - to - for each speaker and at the amplifier) and that right and left surround channels are connected properly.
- Insert the speaker into the ceiling and tighten each of the four screws for the speakers 'dog' legs enough to clamp the speaker against the ceiling.



CAUTION: Do not overtighten screws. This could result in speaker damage, ceiling damage or both.